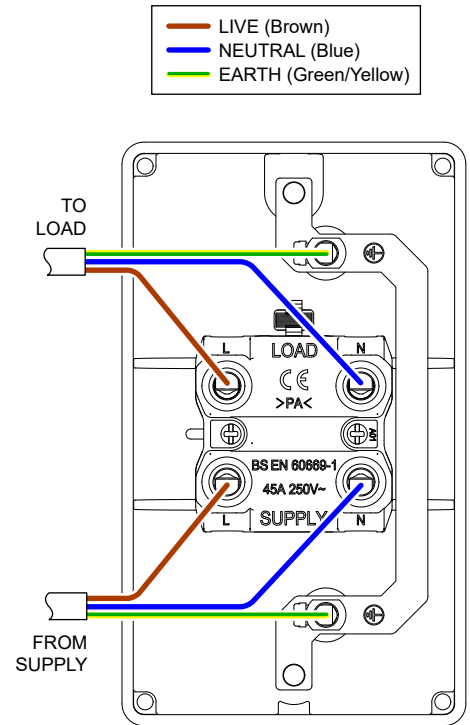
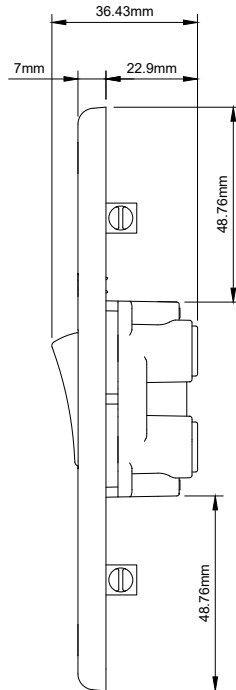
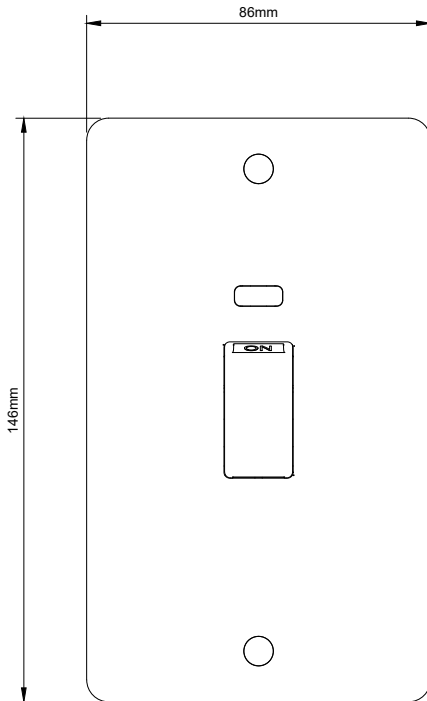


45A 1 Gang Double Pole Switch With Neon, Large Plate



TECHNICAL SPECIFICATION

Standard(s)	BS EN 60669-1
Voltage Rating	45 Amp, 250V~
Switch Type	Double Pole
Mounting Box Depth (Min)	35mm
Terminal Capacity	3 x 2.5mm ² , 3 x 4.0mm ² , 2 x 6.0mm ²
Fixing Centres	120.6mm
Size	146mm x 86mm x 7mm (Plate thickness)
Product Class 1	This product must be earthed
Ambient Operating Temperature	-5° to +40°C
Recommended Location	Internal Use Only
Maximum Installation Altitude	2000m
IP Rating	IP2XD
Mains Frequency	50hz - 60hz
Trademarks	The Lieber Company is a registered trade mark number: UK00003313578 Date: 26 May 2018