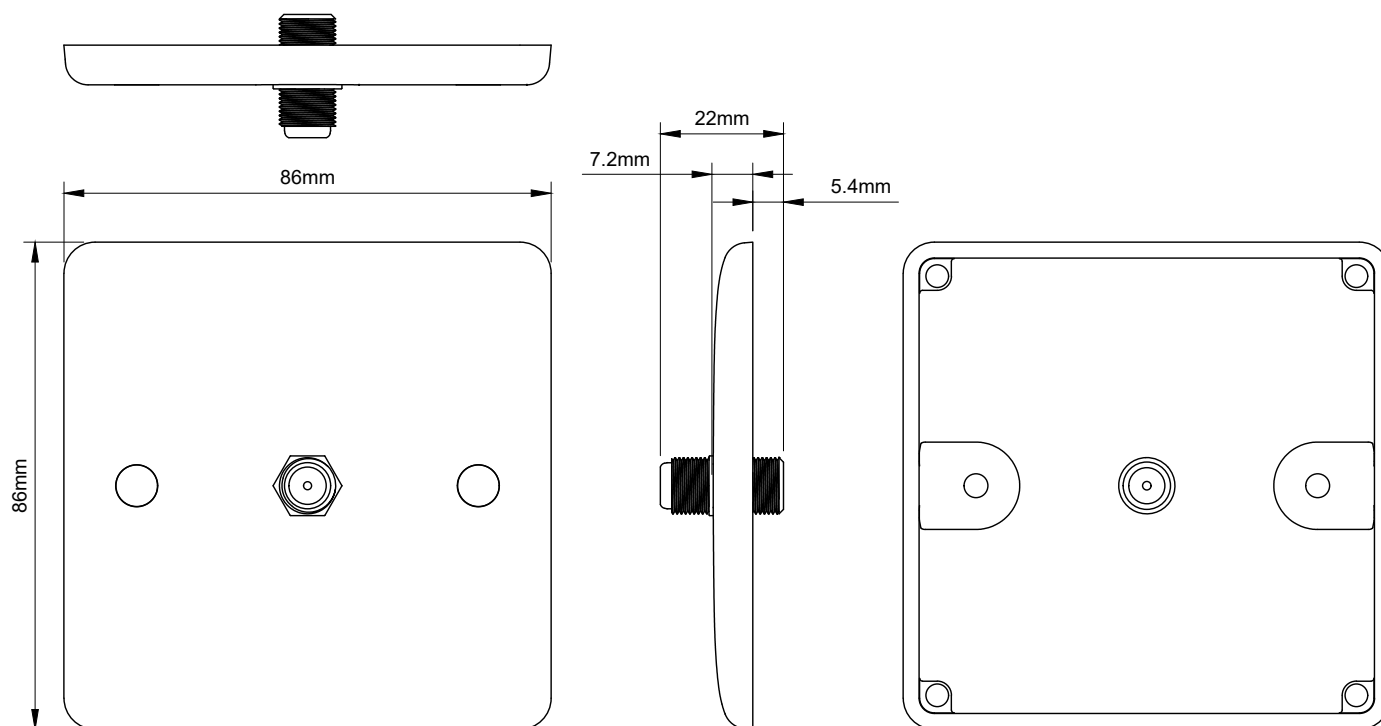


1 Gang Satellite Socket



TECHNICAL SPECIFICATION	
Standard(s)	BS 5733
Mounting Box Depth (Min)	25mm
Fixing Centres	60.3mm
Size	86mm x 86mm x 7mm (Plate thickness)
Product Class 1	Face plate does not need to be earthed
Ambient Operating Temperature	-5° to +40°C
Recommended Location	Internal Use Only
Maximum Installation Altitude	2000m
IP Rating	IP2XD
Trademarks	The Lieber Company is a registered trade mark number: UK00003313578 Date: 26 May 2018