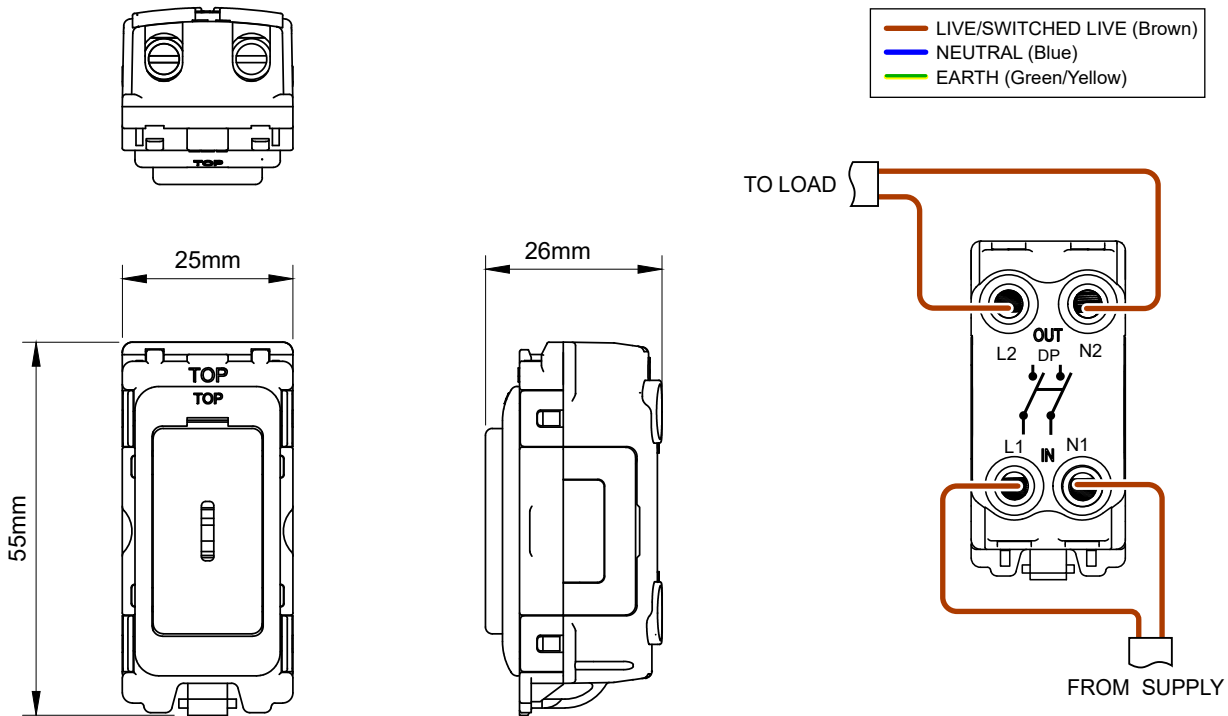


20A Double Pole Key Switch - Grid Module



TECHNICAL SPECIFICATION	
Standard(s)	BS EN 60669-1
Voltage Rating	20 Amp, 250V~ (20AX – no derating for inductive or fluorescent loads)
Mounting Box Depth (Min)	35mm
Terminal Capacity	4x 1.5mm ² , 2x 2.5mm ² & 1x 4.0mm ²
Size	55mm x 30 x 26mm
Product Class 1	Grid frame must be earthed
Ambient Operating Temperature	-5° to +40°C
Recommended Location	Internal Use Only
Maximum Installation Altitude	2000m
IP Rating	IP2XD
Switched Poles	Double
Mains Frequency	50hz - 60hz
Trademarks	The Lieber Company is a registered trade mark number: UK00003313578 Date: 26 May 2018